

PEPER M / PEPER L

Installation instructions

Montageanleitung (DE)

Instrucciones de montaje (ES)

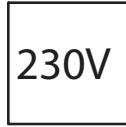
Instruções de instalação (PT)

Инструкция по монтажу (RU)

Инструкциите за инсталиране (BG)

Інструкція по встановленню (UK)

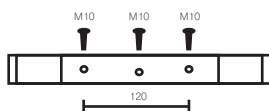
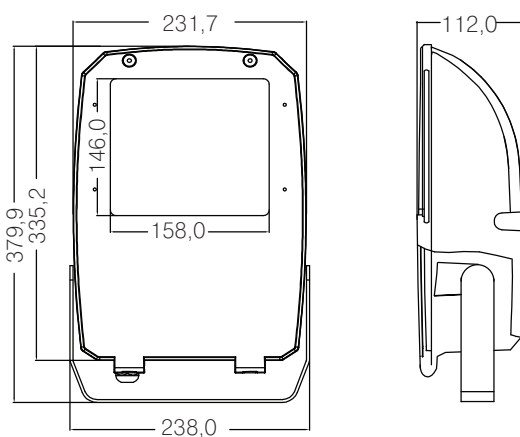
تثبيت تلامبا تاميل عت (AR)



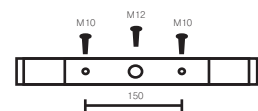
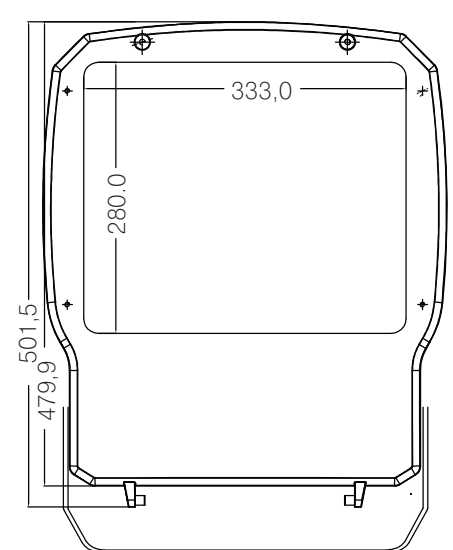
| | kg | Light bulb | m ² | m |
|-----------------------------------|-----------|---------------------|---------------------|-------|
| PEPER M 70W HIT (HST) ASYMMETRIC | 4.0(3.1*) | 70W HIT (HST) Rx7s | 0.07 m ² | 1.0 m |
| PEPER M 70W HIT (HST) SYMMETRIC | 4.0(3.1*) | 70W HIT (HST) Rx7s | 0.07 m ² | 1.0 m |
| PEPER M 70W HIT (HST) CIRCULAR | 4.0(3.1*) | 70W HIT (HST) Rx7s | 0.07 m ² | 1.0 m |
| PEPER M 150W HIT (HST) ASYMMETRIC | 4.7(3.1*) | 150W HIT (HST) Rx7s | 0.07 m ² | 1.0 m |
| PEPER M 150W HIT (HST) SYMMETRIC | 4.7(3.1*) | 150W HIT (HST) Rx7s | 0.07 m ² | 1.0 m |
| PEPER M 150W HIT (HST) CIRCULAR | 4.7(3.1*) | 150W HIT (HST) Rx7s | 0.07 m ² | 1.0 m |
| PEPER L 250W HIT (HST) ASYMMETRIC | 11.3 | 250W HIT (HST) E40 | 0.12 m ² | 1.0 m |
| PEPER L 250W HIT (HST) SYMMETRIC | 11.3 | 250W HIT (HST) E40 | 0.12 m ² | 1.0 m |
| PEPER L 250W HIT (HST) CIRCULAR | 11.3 | 250W HIT (HST) E40 | 0.12 m ² | 1.0 m |
| PEPER L 400W HIT (HST) ASYMMETRIC | 11.8 | 400W HIT (HST) E40 | 0.12 m ² | 1.0 m |
| PEPER L 400W HIT (HST) SYMMETRIC | 11.8 | 400W HIT (HST) E40 | 0.12 m ² | 1.0 m |
| PEPER L 400W HIT (HST) CIRCULAR | 11.8 | 400W HIT (HST) E40 | 0.12 m ² | 1.0 m |

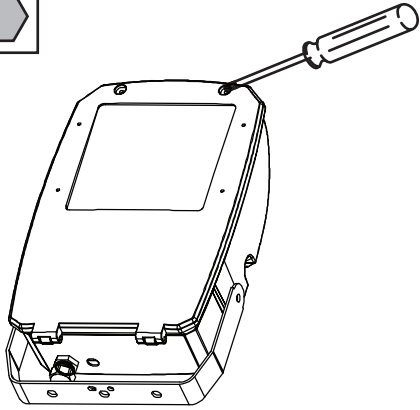
*HF and HFR

PEPER M

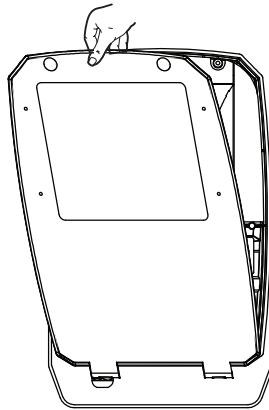


PEPER L

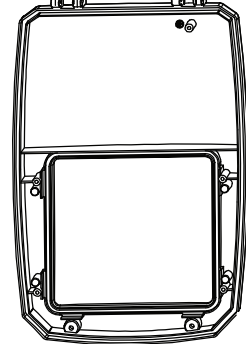
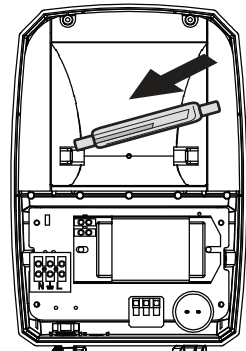




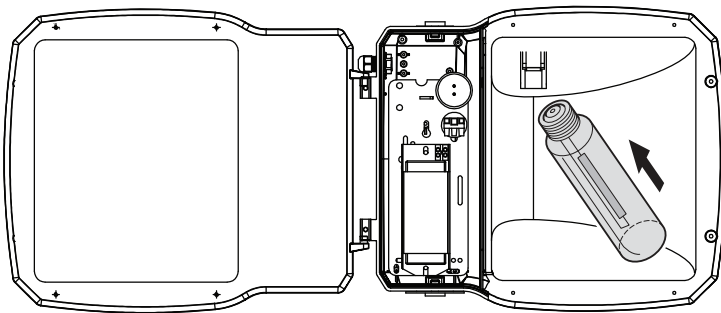
1



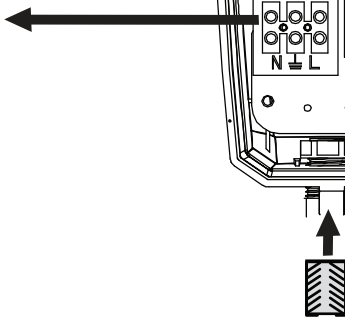
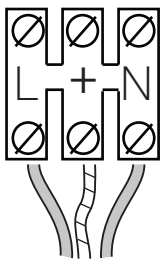
2



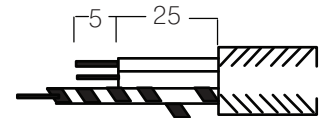
4



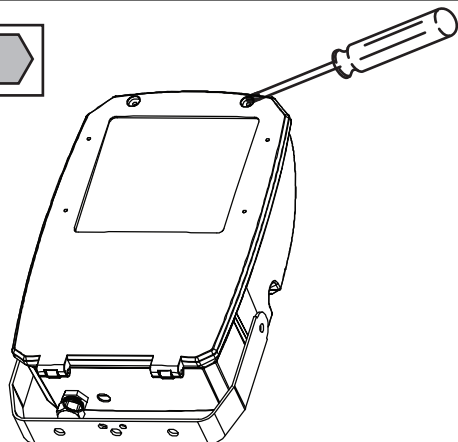
3



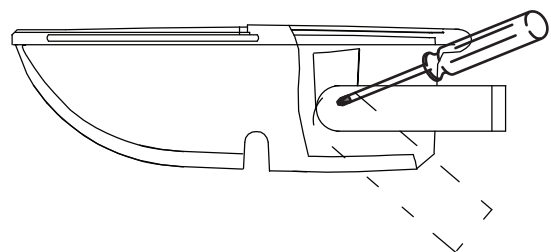
Min. $3 \times 1,0 \text{ mm}^2$
min. $\varnothing 8,5$ max $\varnothing 12$



5



6



7